

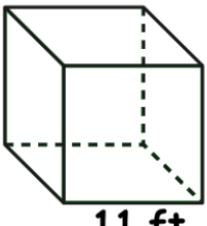
4/7/17 CCM6+

Find and Assess Surface Area of prisms and pyramids.

1. Write in agenda...SG due Wed 4/19 (Test Thurs 4/20)
2. Get out pages 28-31 to check.
3. Think of any review questions you have.

✓ HW p 28 # 1 + 3

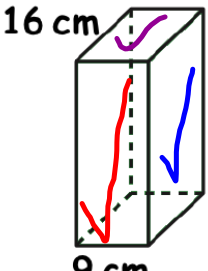
1. Find the surface area of the prism.



11 x 11 = 121
 x 6

 726 ft²

2. Find the surface area of the prism.

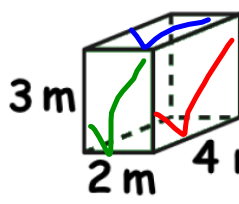


16 cm
 9 cm
 23 cm

T $16 \times 9 = 144$
 B 144
 L $16 \times 23 = 368$
 R 368
 F $9 \times 23 = 207$
 + B 207

 1438 cm²

3. Find the surface area of the prism.

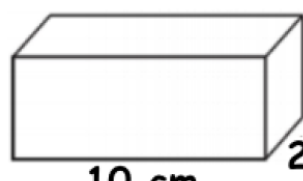


3 m
 2 m
 4 m

T $2 \times 4 = 8$
 B 8
 L $4 \times 3 = 12$
 R 12
 F $3 \times 2 = 6$
 + B 6

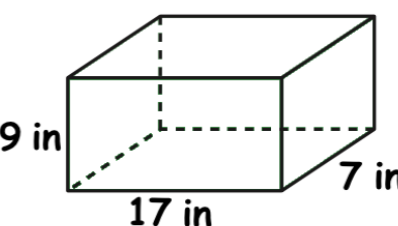
 52 m²

4. Find the surface area of the prism.



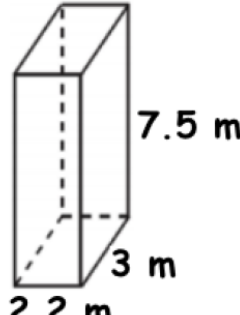
10 cm
 2 cm
 4 cm

5. Find the surface area of the prism.



9 in
 17 in
 7 in


6. Find the surface area of the prism.



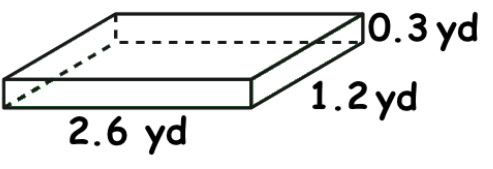
7.5 m
 2.2 m
 3 m

✓ HWp 29 # 9-11

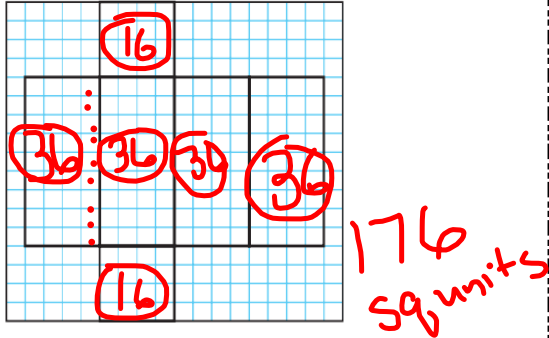
7. Find the surface area of the prism.



8. Find the surface area of the prism.

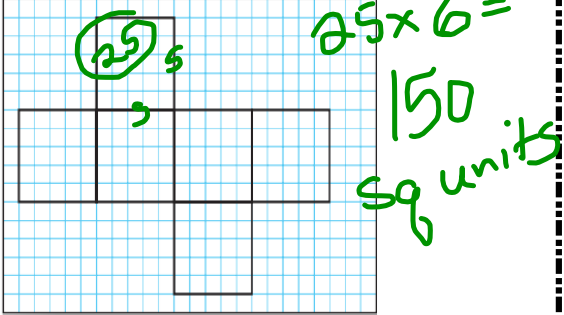


9. Find the surface area of the prism.



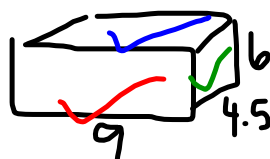
176 sq units

10. Find the surface area of the prism.



25 x 6 = 150 sq units

11. Ms. Green is painting the outside of a wooden box that is 9 feet long, 4.5 feet wide and 6 feet tall. If one cup of paint can cover up to 20 feet², how many cups of paint will Ms. Green need?



$T 9 \times 4.5 = 40.5$
 $B 40.5$
 $F 9 \times 6 = 54$
 $B 54$
 $L 6 \times 4.5 = 27$
 $+ R 27$

12. The length of the base of a square prism is 5.5 m. If the height of the prism is 6.75 m, what is the surface area of the figure in centimeters?

243 ft² ÷ 20 ft² = 12.15 cups paint

✓ HW P. 30 # 15-18

13. A DVR box measures 17 inches by 15 inches by 3 inches. What is the minimum surface area of a box needed to hold the DVR box?

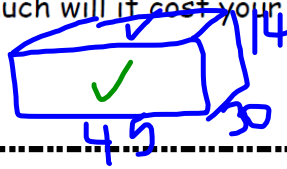
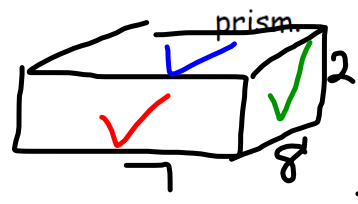
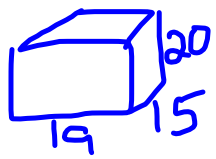
14. Casey is wrapping a present that is in a box with a length of 19 cm, a width of 15 cm and a height of 20 cm. If wrapping paper costs \$0.04 per square cm, how much will she spend on wrapping paper?

15. $7 \times 8 \times 2 = 112$
 The volume of a rectangular prism is 112 cubic inches. The prism has a height of 7 inches and a width of 8 inches. Find the surface area of this prism.

16. Apple is deciding which box to use for their new iPad. The first box measures 8 in by 6.25 in by 10.5 in. The second box measures 9 in by 5.5 in by 11.75 in. Which box would require more material to make?

17. Ashley is baking a rectangular cake that is 9 in wide, 13 in long and 2 in high. She removes the cake from the pan to frost it. How many square inches of frosting does she need?
 *She does not frost the bottom!

18. Your school gym is 45 ft long, 30 ft wide, and 14 ft high. They are going to paint the four walls and the ceiling of the gym. If one gallon of paint costs \$12.50 and can cover 300 ft², how much will it cost your school to paint?



$$\begin{array}{r}
 20 \times 19 = 380 \\
 20 \times 15 = 300 \\
 19 \times 15 = 285 \\
 \hline
 965 \text{ cm}^2 \\
 \times 0.04 \\
 \hline
 \$38.60
 \end{array}$$

$$\begin{array}{r}
 56 \\
 56 \\
 14 \\
 14 \\
 16 \\
 \hline
 172 \text{ in}^2
 \end{array}$$

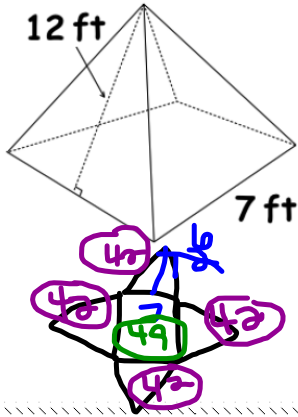
$$\begin{array}{l}
 8 \times 6.25 = 50 \\
 6.25 \times 10.5 = 65.625 \\
 8 \times 10.5 = 84 \\
 \hline
 399.25 \text{ in}^2
 \end{array}
 \quad
 \begin{array}{l}
 9 \times 5.5 = 49.5 \\
 5.5 \times 11.75 = 64.625 \\
 9 \times 11.75 = 105.75 \\
 \hline
 439.75 \text{ in}^2
 \end{array}$$

$$\begin{array}{r}
 17 \\
 17 \\
 18 \\
 18 \\
 26 \\
 \hline
 205 \text{ in}^2
 \end{array}$$

$$\begin{array}{r}
 1350 \\
 630 \\
 630 \\
 420 \\
 \hline
 3450 \text{ ft}^2 \\
 \div 300 = 11.5 \\
 \times 12.50 \\
 \hline
 \$143.75
 \end{array}$$

✓ HW P 31 # 1-2

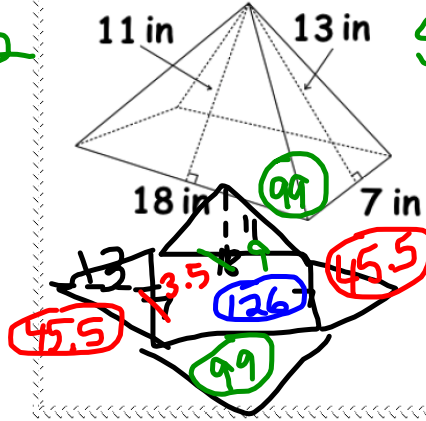
1. Find the surface area.



SA = 217 ft²



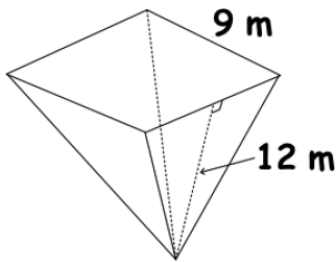
2. Find the surface area.



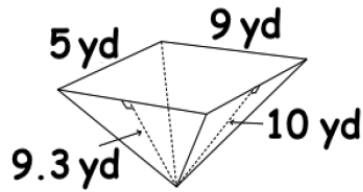
SA = 415 in²



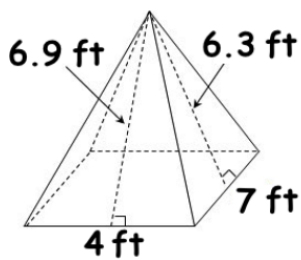
3. Find the surface area.



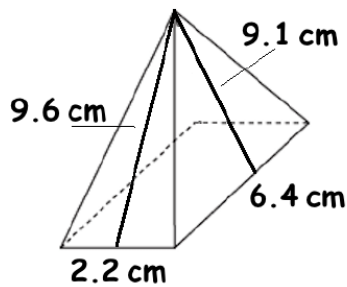
4. Find the surface area.



5. Find the surface area.

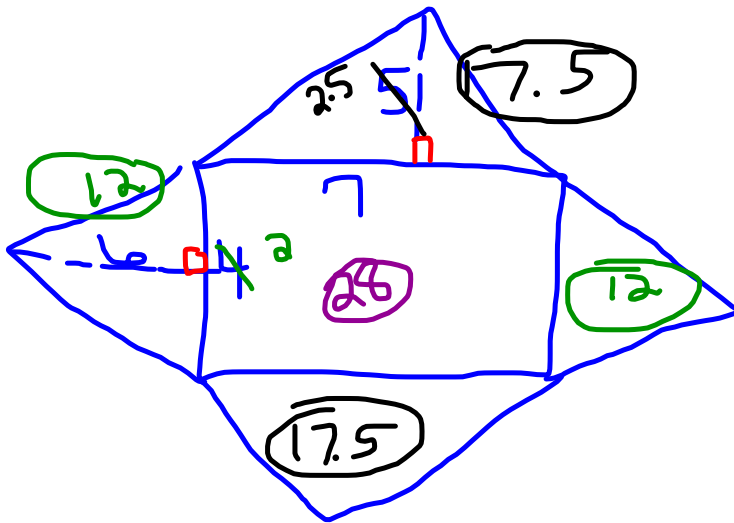


6. Find the surface area.

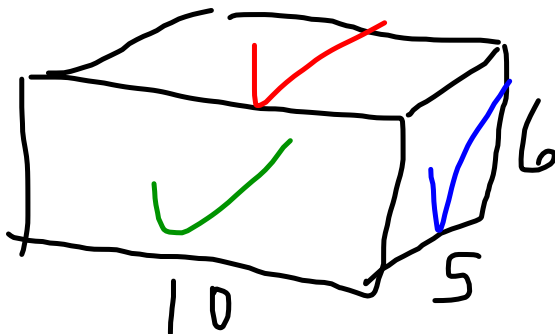


Review Questions before QUIZ???

QUIZ...then clear calculator and work on Study Guide or other homework.



SA = 87
Sq units



- T 5
- B 50
- L 30
- R 30
- F 60
- B 60